

## Electronic Damper Actuator

Designed for UL Listed Fire/Smoke and Smoke Control Dampers

### 200 lb-in Torque

2 position, 30 second run time  
15 second Spring Return Time



GVD Series Electronic Damper Actuator

### Description

The OpenAir direct coupled, fast-acting, two-position, spring return electronic actuators are available as 24 Vac/ dc, 120 Vac, and 230 Vac models. They are intended for use on UL-listed smoke control and combination fire/ smoke rated dampers.

### Features

- Electronic Fusible Link (EFL) capability with three temperature ratings: 165° F (74° C), 252° F (100° C), 250° F (121° C), and 350°F (177°C)
- Reversible fail-safe spring return
- High temperature polymer housing
- Pre-cabled lead wires
- 30-second drive/15 second return operation at rated torque, temperature and voltage
- 5 Year warranty
- Made in the USA
- Compact design for tight-fitting spaces

### Options

- Optional built-in Auxiliary Switches: fixed switch points at 5° and 85° rotation

### Applications

The GVD Series Spring Return Fire and Smoke Damper Actuator is used for the control of dampers requiring up to 200 lb-in driving torque. It is intended for control of UL listed smoke control dampers or combination fire/ smoke HVAC dampers. This actuator is designed to meet the 2002 revisions to the UL555/555S and the AMCA Standard 520 applications.

B-61

Damper Actuators

## Specifications

<b>Operating Voltage</b> .....	24Vac ±20%
	120 Vac ±10%
	230 Vac ±10%
<b>Frequency</b>	
24Vac/dc.....	50/60 Hz
120 Vac & 230 Vac.....	60 Hz
<b>Power Consumption</b> .....	24Vac/dc
Running.....	~ 35 VA
Holding.....	~ 9 VA
<b>Power Consumption</b> .....	120Vac
Running.....	~ 35 VA
Holding.....	~ 9 VA
<b>Power Consumption</b> .....	230 Vac
Running.....	~ 35 VA
Holding.....	~ 9 VA
<b>Torque</b>	
Running.....	200 lb-in (23 Nm) (minimum)
Minimum Stall.....	280 lb-in (32 Nm)
<b>Runtime for 90°</b>	
Operating with motor at 60hz.....	30 seconds nominal
Closing (on power loss) with spring return.....	15 seconds nominal
<b>Nominal Angle of Rotation</b> .....	95°

<b>Life Expectancy</b> .....	Minimum 20,000 full stroke cycles
<b>Damper Shaft Size</b> .....	0.5-inch (12.7 mm) to 1-inch (25 mm)round
<b>Min. Shaft Length</b> .....	3.0-inch (76.2 mm)
<b>Housing</b>	
Enclosure .....	NEMA 1/ IP40
Material.....	Plenum-Rated Plastic
<b>Temperature</b>	
Operation.....	0°F to 130°F (-18°C to 55° C)
	One time 350°F (121°C) 1/2 hour per UL555S
Storage and Transport.....	- 40°F to 158°F (-40°C to 70°C)
Humidity .....	Maximum 95% rh non-condensing
Teflon Cable .....	400°F (200°C)
<b>Agency Certifications</b> .....	UL60730
	cUL CSA 60730
	CE Conformity for Residential, Commercial and Industrial Environments
	Australian RCM Conformity
<b>Pre-cabled Connection</b> .....	19/30 strand 18 GA, 3 ft (0.9m)
<b>Dimensions</b> .....	10.7-in H x 3.4-in W x 3.8-in D
	(272.8 mm H x 101.5 mm W x 96.4 mm D)
<b>Shipping Weight</b>	
Single Pack .....	~ 9.0 lbs (4.1kg)

## Product Ordering

Description	Part No.		
	24Vac	120Vac	230Vac
Standard	GVD121.1U	GVD221.1U	GVD321.1U
Aux Switches 5° and 85°	GVD126.1U	GVD226.1U	GVD326.1U

B-62

Damper Actuators

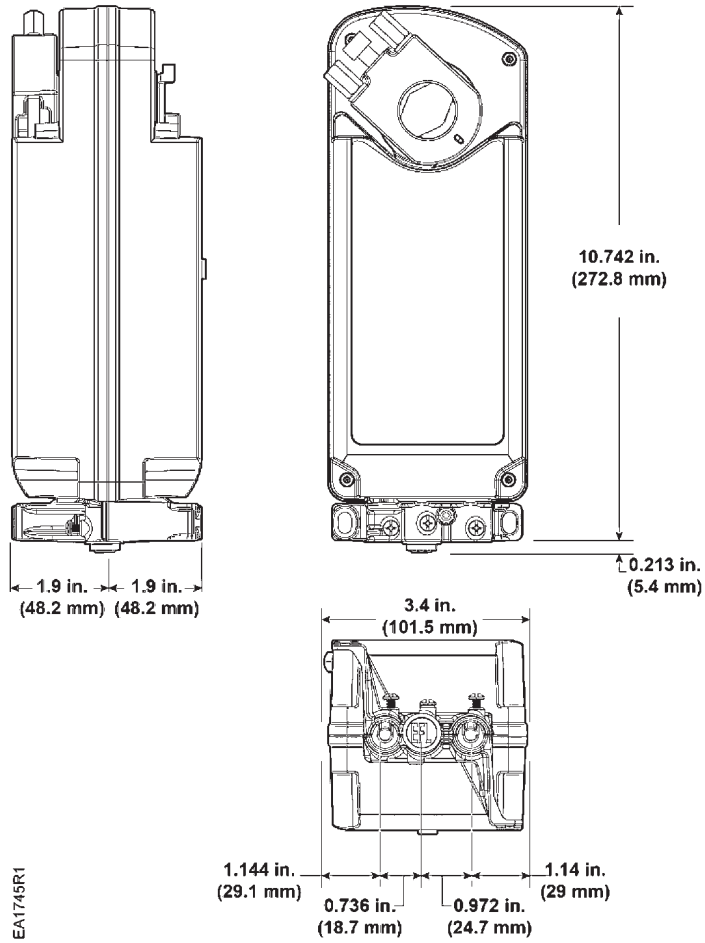
## Compatible Electronic Fusible Links

Temperature Range	Part No.
165°F (74°C)	ASK791.165
212°F (100°C)	ASK791.212
250°F (121°C)	ASK791.250
350°F (177°C)	ASK791.350

\* Determine and order appropriate actuator before selecting an EFL



### GVD Series OpenAir Damper Actuators



Dimensions shown in inches (mm).